

# LawnMaster®



## 21V LITHIUM **HAND SAW** SAFETY AND OPERATING MANUAL

PLEASE READ THIS MANUAL CAREFULLY BEFORE OPERATING THE UNIT

### LB21HS



A STEELFORTH PRODUCT



PROUDLY  
NZ OWNED



## TABLE OF CONTENTS

<b>OPERATOR SAFETY</b>	<b>3</b>
<b>SAFETY RULES</b>	<b>4</b>
<b>FEATURES &amp; TECHNICAL DATA</b>	<b>6</b>
<b>OPERATION</b>	<b>7</b>
Installing The Chain Guide Bar	
Adjusting Tightness Of Chain	
Conditions Of Work	
Charging The Battery	
Precautions	
<b>CLEANING &amp; MAINTENANCE</b>	<b>8</b>
<b>STORAGE</b>	<b>8</b>
<b>WARRANTY</b>	<b>9</b>

**Thank you for purchasing our LawnMaster 21V Lithium 2AH Hand Saw the information contained within this manual will help you to have many years of safe and trouble free use of this Lawnmaster product.**

## **OPERATOR SAFETY**

### **SAFETY RULES**

This manual contains important safety information and instructions to operate the LawnMaster 21V Lithium Hand Saw.

PLEASE READ THIS MANUAL CAREFULLY BEFORE USING THE UNIT.

Failure to adhere to the safety instructions could result in property damage and/or serious personal injury.

This manual should be considered a permanent part of the hand saw and should remain with the unit at all times. All information in this publication is based on the latest product information available at the time of printing.

Product Information and specifications can be altered and/or improved without notice. Content from this publication may not be reproduced without written consent.

### **DANGER**

Indicates a hazardous situation which, if not strictly complied with, will result in substantial property damage and or serious injury.

### **WARNING**

Indicates a hazardous situation which, if not strictly complied with, may result in property damage

### **CAUTION**

Indicates a hazardous situation which, if not strictly complied with, could result in property damage or personal injury.

The warnings and precautions discussed in this manual does not cover all possible conditions and or scenarios that may occur.

It must be understood by the operator that common sense and caution must be taken into consideration when operating this product, as these are factors

which cannot be built into this manual.

## **WORKPLACE SAFETY**

- Keep the workplace clean and bright to avoid accidents due to messy and dark sites.
- Do not operate power tools in explosive environment, such as those with flammable liquid, gas or dust. Sparks generated in operation may ignite dust or gas.
- When operating power tools, keep away from children and bystanders. Please focus on the operation to avoid losing control of the tools.

## **ELECTRIC SAFETY**

- Please use well-matched plug and socket. Modified plugs not allowed. Power tools to be grounded shall not use any conversion plug. To reduce the risk of electric shock, please keep the unmodified plugs with matching sockets.
- To avoid shock risks, operators shall not contact with the grounding surfaces, such as pipes, radiators or refrigerators.
- Do not expose power tools to rain or wet environment, which may increase the shock risks.
- Do not abuse wires such as to carry, pull or unplug the power tools. Please keep the wires away from heat, oil, sharp edges or moving parts to avoid shock risks due to damaged or twisted wires.
- When using power tools outdoors, please use extension cords suitable for outdoor use to reduce shock risks.

## **PERSONAL SAFETY**

- Stay alert and avoid operating power tools when tired, under the influence of drugs or alcohol, or during medical treatment, as this can lead to serious injury.
- Always wear goggles and, when necessary, use additional protective equipment like dust masks, non-slip safety shoes, safety helmets, and hearing protection to reduce the risk of personal injury.
- Before connecting the power supply or battery pack, picking up, or carrying the tool, ensure the switch is in the off position to prevent accidental starting. Energizing the tool with fingers on the switch or when the switch is on can be extremely dangerous.

- Remove all adjusting keys or wrenches before starting the power tools to avoid personal injury due to their leaving on rotating parts.
- Always pay attention to foothold and body balance without stretching your hand too smoothly to better control the power tools in case of accidents.
- Dress appropriately. Do not wear loose clothes or accessories. Keep your hair and clothes away from moving parts.
- If devices for connecting chip removal and dust collection equipment is provided, please ensure that it is well connected and used properly which will reduce the risk caused by dust.
- Even with frequent tool use and familiarity with their operation, always prioritise safety rules. A single careless action can result in serious injury.
- Do not use power tools for operations that are not compatible with their purpose, please select the tools, accessories and tool heads according to the operating instructions and considering the operating conditions and operations to be carried out to avoid accidents.
- Keep the handle and holding surface dry and clean without grease. In case of accident, the slippery handle can not guarantee the safety of holding and the control of tools.

### **PRECAUTIONS FOR USING POWER TOOLS**

- Choose the right power tools designed for the task at hand to ensure your work is both efficient and safe.
- Do not use the power tools lost control of the switch, which is dangerous and shall be repaired at first.
- To reduce the risk of accidental starting, please remove the plug from the power supply and / or the battery pack (if removable) before any adjustment, replacement of accessories or storage of power tools.
- Please store unused power tools outside the reach of children. People who are not familiar with the operation and instructions shall not use the tools, it's dangerous for untrained users.
- Maintenance of power tools and accessories. Please check whether the moving parts are adjusted in place or stuck, the conditions of damaged parts and others that affecting the operation of electric tools to avoid accidents due to poor maintenance.
- Keep cutting tools sharp and clean. Well maintained tools with sharp cutting edges are not easy to jam and easier to control.

## **SAFETY RULES**

### **RECHARGEABLE HAND SAWS**

- To ensure safety, it is not recommended for individuals with disabilities, mental retardation, inexperience, or limited independent operation ability (including children and minors) to use the tool without supervision. Please closely supervise children to prevent them from regarding the tool as a toy.
- Avoid using a damaged tool, and always inspect the tool and battery pack before each use. If you detect any faults, send the tool to professional personnel for repair; do not attempt to disassemble it yourself. After checking and assembling the tool, keep a safe distance from it and let it run at the highest shear frequency for one minute. This test may reveal most damage in the tool.
- Balance-pushed Lithium Hand saw should use the special BLT-DC21-18650 lithium battery pack. Only charge the battery pack with the provided tool-specific charger. Avoid using any other battery packs or chargers, including imitations, modifications, or different brands, to prevent personal injury or property damage from potential battery explosions.
- Always hold the insulated handle when operating the tool. The tool's blade may accidentally cut hidden wires. Prior to use, use appropriate detection devices to check for concealed wires or pipes. Cutting a wire can lead to fire and electric shock, damaging a gas pipe can result in an explosion, and cutting a water pipe can cause property damage.
- When operating, maintain a normal step distance and balance; avoid overstretching or leaning your body.

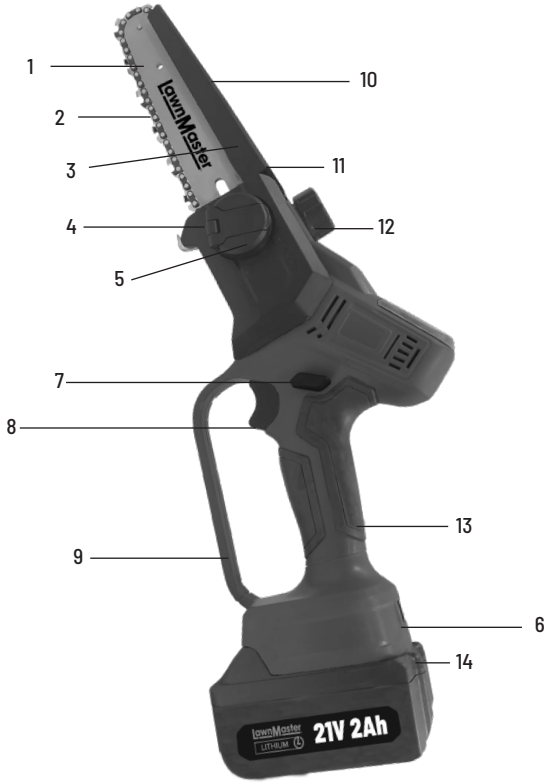
- Ensure you wear safety goggles, non-slip shoes, and gloves, and firmly grip the tools.
- Wear protective gloves, keep your hands away from the switch and the tools powered off when replacing the blade to avoid injury.
- Operate the tool in the correct way to avoid personal injury due to improper operation.
- Use original accessories or accessories provided by the original factory.
- Recycle and reuse damaged machines, Accessories and waste packaging in accordance with local laws and in an environmentally friendly way.
- If the battery pack is overused or overheats, it may leak. Clean or replace contaminated parts as needed. The affected parts and the leaking battery should not be used. If leakage contacts the skin, wash with soap, followed by lemon juice or vinegar. If it comes into contact with the eyes, rinse with clean water and seek immediate medical attention. Battery pack leakage can cause corrosion or burns.
- If the service time of the battery pack is significantly shortened after each charging, please replace it with a new battery pack or go to the maintenance point for inspection.
- The battery pack shall be moisture-proof and mildew proof. Please keep it away from water and rain.
- Please store the battery pack after fully charged.
- The storage ambient temperature range of battery pack is 0-45° Too high or low temperature would affect its capacity.
- Keep the battery pack away from metal objects like paperclips, coins, keys, nails, screws, or other small metal parts, as they can create a connection with the battery pack contacts. Short-circuiting the battery pack contacts can result in sparks, burns, or fires.
- Do not discard the scrapped battery pack in general household waste, flame or water.
- Collect the damaged battery packs and send them to the recycling center for disposal or dispose of them in an environmentally friendly way.
- Do not charge the battery pack when the room temperature is lower than 10° or higher than 50° When the room temperature is lower than 0°, it may not be charged.
- If the lithium hand saws are not used for a long time, it is necessary to fully charge the battery and charge it once every three months for preservation.

## BATTERY PACKS

- Disconnect the switch and remove the battery pack before performing any work, such as changing tools, inspection, maintenance, transportation, storage, etc.
- Ensure that the battery pack is properly installed before using the tool.
- It's a normal phenomenon that the battery pack will become slightly hot during charging.
- Do not charge a damaged battery pack.
- After charging, please cut off the power supply and then unplug the battery pack from the charger. Do not put the battery pack in the charging body for a long time.
- Do not insert the charged battery pack into the charger when the tool is not in use
- Do not attempt to disassemble the battery privately, its maintenance or repair shall be handed over to professional maintenance personnel to avoid danger of electric shock or fire due to incorrect assembly.
- Do not short circuit the battery pack
- Don't burn the battery pack, it will explode in the fire.
- Do not drop, vibrate or impact the battery pack.
- Do not use the battery pack as a hammer. Knocking on the battery pack may cause accidental short circuit, fire or explosion.
- The battery pack must be kept away from high temperature or flame! Do not place it on the heater or expose it to strong sunlight for a long time. High temperature brings a risk of explosion.
- Please keep workplace well ventilated. The toxic gas emitted by the damaged battery pack or that is not used in accordance with the specified requirements may cause personal injury.

**Before using this tool, familiarise yourself with its functions and operating instructions. Stay alert at all times to prevent injury.**

# FEATURES & TECHNICAL DATA



- |                       |                |                         |
|-----------------------|----------------|-------------------------|
| 1. Guide Bar          | 6. LCD         | 11. Oiler               |
| 2. Chain              | 7. Lock Button | 12. Oil Pot             |
| 3. Chip Baffle        | 8. Switch      | 13. Ergonomic Hand Grip |
| 4. Tension Adjustment | 9. Arm Guard   | 14. Cord Lock           |
| 5. Knob               | 10. Guard      |                         |

MODEL	
Battery	21V 2Ah Lithium
Run Time	3-4 Hours
Charge Time	2.5 Hours
Weight (With Battery)	1.2kg

## OPERATION

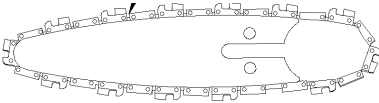
Please wear suitable clothing and work gloves when using this hand saw. Before each use, make sure the hand saw is running normally. The on/off switch should be operating normally at all times, if the on/off switch is damaged or not working correctly please do not use the hand saw. To reduce the risk of injury make sure all protective clothing is being used and keep all body parts and clothing away from the Bar and chain area of the hand saw while being used. When loosening the start switch, the power must be turned off. If the switch is damaged, stop using the device. Make sure the voltage of the power supply is consistent with the voltage on the nameplate. The risk of injury can be reduced by wearing protective devices and ensuring that the devices are functioning properly.

### INSTALLING THE CHAIN GUIDE BAR

Please make sure at all times when working on the battery powered Hand chainsaw that the battery has been removed from the hand saw

Place the drive link of the saw chain into the guide bar.

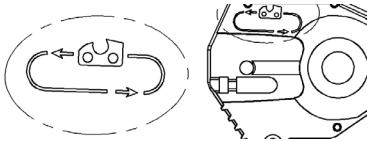
**NOTE:** When the saw chain has been placed into the guide bar the chain cutting tooth should be facing forward, as per the image below. The hand saw has a device to adjust the saw chain tension, when installing the guide bar make sure that the adjusting block is positioned correctly into the adjusting slot at the rear of the guide bar".



Put the chain into the guide bar.

**NOTE:** The direction of the cutting teeth.

Align the pin hole and instale the reverse hole and chain.

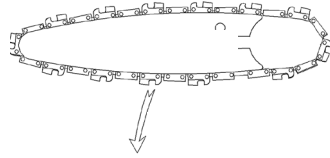


### ADJUSTING THE TIGHTNESS OF CHAIN

The adjustment standard is to lift the chain in the middle of the guide bar by hand and expose 1-3 drive links.

Twist the adjusting screw clockwise to tension the chain, counterclockwise is for loosening

1. The new chain will be stretched in the early stage of use. Please check and adjust to the appropriate tension frequently, because the loose chain is easy to derail, which may lead to rapid wear of the chain and guide plate.
2. The chain must be stuck to the sprocket. After installation, please check it again.



Drop-down chain

Pull down the chain to expose the three drive links.

### CONDITIONS OF WORK

The hand saw has been designed to cut branches up to 60mm in diameter, to perform tasks that are outside of this requirement will reduce the battery run time. Please make sure the saw chain is in good condition at all times, to use the hand saw with a dull saw chain will reduce the battery run time.

### BATTERY

Supply Voltage V	21/24
The Most Powerful mm	100mm
Battery	Li-ion
Rated Voltage	100-240V AC, 50-60Hz
Force Voltage	DC 21/24
Charging Current	0.8

**Battery Packing:** Pay attention to aligning slots, inserts.

Button press and pull out the battery pack  
Extension rod control joint

Open the package, check whether the components are all there:

- Electric Coarse Branch
- Battery
- Charger
- Instruction Manual & Warranty Cord

## CHARGING THE BATTERY

Do not expose the battery to extreme conditions such as high temperature or shock. Otherwise, it will cause personal injury due to the leakage of the electrolytic solution.

Before charging, check that the surface of the battery is clean and dry.

Before delivery, the battery of this product is not fully charged. Therefore, before the first use, it must be sufficient electricity.

Do not charge the battery for long periods of time, and do not run the battery completely flat, otherwise it will damage the battery.

The product warranty does not include failure due to incorrect use. If the battery with sufficient electricity is significantly shorter, it must be replaced if the battery is exhausted. The user can only use the battery pack manufactured by the original equipment operated by the customer center.

Always keep in mind applicable safety instructions and protection requirements and environmental information.

1. Place the charger on a dry firm surface to charge the battery. Check that the switch is in off position.
2. Connect the charger to the corresponding connector for the battery pack. Make sure the power is consistent with the rated values on the charger and adapter.
3. When the red light is on the charger, it indicates that the battery is charging, and the green light indicates that the charge is completed. The average charge time is 2 hours.
4. When charging is complete, drive the connector from the power source and then cut off the connector and battery connection.

The battery is used to ensure that it is recharged at least once every three months

## PRECAUTIONS

- When the device is running, say your other hand is at least 15cm away from the cutting area of the blade, and the hand must not be put into the knife edge.

- Do not use this equipment to force the bigger branches, otherwise it may make the blade deform and make the pruning stick.
- In cold or humid weather, to protect the battery pack, put it under waterproof clothing, do not use this equipment in rainy days.
- We recommend that after daily use, the connection between the pruning number and the battery pack must be cut, and the power switch (8) is closed and put together into the matching tool box.
- If the user feels the electricity is not enough or the cutting is not smooth enough, check if the electricity is exhausted or the blade is dull.

## CLEANING AND MAINTENANCE

- Repair work functions not mentioned in this specification are performed by the service dealer. To ensure safe use, only original parts can be used.
- Please close the equipment before starting the chair repair. Clear the connection between the battery and the plant and store the battery in a safe package.
- Wear hand care when touching safety blades. This can avoid sharp blade scratching the user. Follow-up cleaning and maintenance must be carried out regularly. This ensures long-term and reliable operation of the equipment.
- Do not spray the equipment with water or break it into the water, otherwise, it may cause electric shock. Keep the ventilator, motor room and equipment handle clean. Use a damp cloth or brush cleaner.
- Do not use a bay cleaner. Otherwise, it may cause permanent saka failure of the equipment. Please clean the blade carefully after each use.
- Use oily cloth to wipe the blade and absorb the metal to protect the fog.
- After 8 hours of continuous operation, please remove the debris such as dust from the front turbulent cover plate of the equipment

## STORAGE

To ensure that the battery is fully charged, avoid leaving in extremely hot or cold environments.

If the equipment will not be used for a long time, please remove the battery before storage.



The distance between the battery and the combustible must be kept beyond 1.5m.

To ensure the service life of the equipment and prevent its degradation, store it in a fully charged state. When not in use, charge and discharge the battery at least once a month.

Do not turn on the power switch when storing.

Indicator Light = State

Red = Charging

Green = Charging Completed

## WARRANTY

Subject to the following conditions, this unit is covered by a comprehensive two-year warranty.

The unit is designed for domestic purposes only, issues and faults due to commercial use may not be covered by warranty. The warranty covers all manufacturing faults but excludes normal wear and tear, misuse, neglect, accidental damage or defects arising from failure to comply with instructions as outlined in this owners manual. Only genuine spare parts can be used for repairs and this must be carried out by an authorised LawnMaster Services Dealer to maintain warranty.

Warranty does not cover the cost of transportation of any part(s) but does cover the labour/parts cost incurred in repairing or replacing any defective part(s) consequential or special damages and / or expenses resulting from any defect.

If the unit requires further repairs or services please visit [www.lawnmaster.co.nz](http://www.lawnmaster.co.nz) to find your local LawnMaster Service Dealer.

For all other enquiries contact **Steeffort Customer Services +64 6 350 1350**

# LawnMaster®

## FIND US



[www.lawnmaster.co.nz](http://www.lawnmaster.co.nz)



lawnmasternz

### Steelfort

500 Rangitikei Street, Private Bag 11045  
Palmerston North, 4412, New Zealand  
06 350 1350

### Steelfort Auckland

880 Great South Road, Penrose  
Auckland, 1061, New Zealand  
09 573 1324