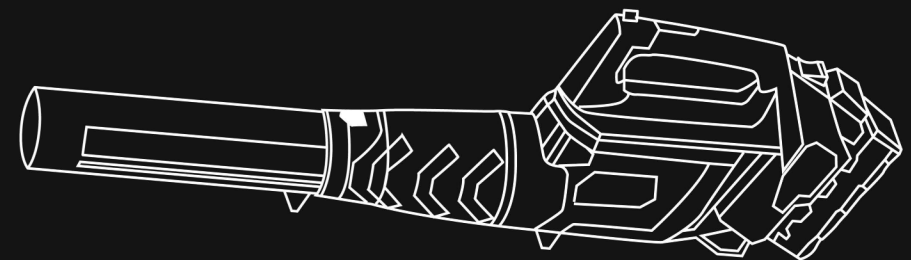


**BLOWER**

**LawnMaster**



Cordless Blower 58V LITHIUM

# READ FIRST BEFORE USE!

## LawnMaster Lithium Battery Instructions

1. Battery must be fully charged before initial use.
2. Never let the battery discharge below 15% - discharging below 15% may cause damage to the battery.
3. Do not continue use if machine stops - fully recharge battery first if below 15%. If above 15% assess tool for potential obstructions.
4. We recommend to fully recharge the battery immediately after every use.
5. Do not store for a long period without fully recharging battery.
6. Check battery temperature (press button twice for temperature). If above 50°C let battery rest and cool.

\* \* \*

Lithium batteries do not need to be fully discharged before recharging.

## GUARANTEE

This product has a 3 years guarantee. This guarantee covers damages and bad function, only if the product has not been misused and all the instructions has been correctly followed.

In order to prove guarantee a receipt must be presented. The product has to be complete and have all its parts.

The guarantee do not cover wear, lack of maintenance, negligence, incorrect assembly and inappropriate usage (blows, disrespect to power supply, storage, using conditions, etc).

Warranty is void if it has been adapted and or modified in anyway.

## INDEX

<b>INTRODUCTION</b>	<b>4</b>
<b>SAFETY RULES AND PRECAUTIONS</b>	<b>4</b>
GENERAL SAFETY	5
<b>WARNING SYMBOLS</b>	<b>7</b>
<b>PRODUCT DESCRIPTION</b>	<b>8</b>
DETAILED DESCRIPTION OF THE PRODUCT	8
TECHNICAL DATA	9
<b>BOX CONTENTS</b>	<b>10</b>
<b>ASSEMBLY</b>	<b>10</b>
TUBE ASSEMBLY	10
<b>USING THE PRODUCT</b>	<b>11</b>
TO TURN THE TOOL ON	11
AIR SPEED CONTROLS	11
BLOWING	11
CHARGING THE BATTERY PACK	12
<b>MAINTENANCE</b>	<b>14</b>
<b>TROUBLESHOOTING</b>	<b>14</b>
<b>STORING</b>	<b>15</b>
<b>TRANSPORTING LITHIUM BATTERIES</b>	<b>16</b>
<b>RECYCLING AND DISPOSING</b>	<b>17</b>
<b>GUARANTEE</b>	<b>18</b>

## INTRODUCTION

Thank you for choosing this LawnMaster product. We are sure you shall appreciate the quality and performance of this machine, which will facilitate your task for a long period of time.

Remember that you can contact our Technical Support for any queries regarding assembly or maintenance, as well as for the resolution to any problems that may arise, and for the purchase of spare parts and/or accessories.



### WARNING

Please read these Operating Instructions carefully as well as the safety precautions before using your device. Failure to do so could result in an electric fault, fire hazard and/or in personal injury. The manufacturer will not take responsibility for accidents or injuries caused to the user, third parties or objects as a result of not following the instructions in the user manual.

This machine is not intended for professional use.

Keep this user manual safe for future reference. Should you sell this machine in the future, please remember to hand it to the new owner.

## SAFETY RULES AND PRECAUTIONS

The aim of the following warning signs and their meaning is to explain the levels of risk related to this product.

SYMBOL	SIGN	MEANING
	<b>WARNING</b>	It indicates a dangerous situation where you need to pay full attention to avoid any kind of personal injuries or damage to the device.
	<b>NOTICE</b>	It indicates useful information which can facilitate your task.



### WARNING

Please read all safety warnings and instructions. Not doing so may result in electrical shocks, fire, or in severe personal injuries.

## RECYCLING AND DISPOSING

When you decide to get rid of the machine, make sure to follow the local regulation.

The batteries used in this mower's battery pack contain the following toxic and corrosive material: LITHIUM-ION.



### WARNING

Toxic materials must be disposed of in a specified manner in order to prevent contamination of the environment. Before disposing of damaged or worn out Lithium-Ion battery packs, contact your local waste disposal agency for information and specific instructions. Take the battery to a local recycling and/or disposal centre that is certified for disposal. If the battery pack cracks or breaks, whether it leaks or not, do not recharge it and do not use it. Dispose of it and replace it with a new battery pack. **DO NOT ATTEMPT TO REPAIR IT!**

Follow these instructions in order to avoid injury and the risk of fire, explosion, or electric shock, and to avoid damage to the environment:

- Cover the battery's terminals with heavy-duty adhesive tape.
- Do not attempt to remove or destroy any of the components of the battery pack.
- Do not attempt to open the battery pack.
- If a leak develops, the electrolytes that are released are corrosive and toxic. Do not get the solution in the eyes or on the skin, and do not swallow it.
- Do not place batteries in regular household trash.
- DO NOT incinerate batteries.
- DO NOT place batteries where they will become part of any waste landfill or municipal solid waste stream.
- Dispose of batteries at a certified recycling or disposal center.
- Package materials are recyclables. Please, throw them away on the appropriate trash can.

## TRANSPORTING LITHIUM BATTERIES

Transport the battery in accordance with local and national provisions and regulations. Follow all special requirements on packaging and labelling when transporting batteries by a third party. Ensure that no batteries can come in contact with other batteries or conductive materials while in transport by protecting exposed connectors with insulating, non-conductive caps or tape. Do not transport batteries that are cracked or leaking. Check with the forwarding company for further advice.



### WARNING

Not intended for use other than what's listed above.

## GENERAL SAFETY

- **DRESS PROPERLY** – Don't wear loose clothing or jewelry. Wear protective hair covering to contain long hair. They can be caught in moving parts. Use of rubber gloves and substantial footwear is recommended when working outdoors. Do not operate while bare foot or wearing open shoes.
- **USE SAFETY GLASSES** – Wear safety glasses with side shields or goggles that are marked to comply with ANSI Z87.1 standard when operating this product. Use face or dust mask if environment is dusty.
- **USE RIGHT APPLIANCE** – Do not use appliance for any job except that for which it is intended.
- **REMOVE BATTERY FROM BLOWER** – When not in use or when servicing or cleaning. Do not leave unattended.
- **CHECK DAMAGED PARTS** – Before further use of the Blower, any part that is damaged should be carefully checked to determine that it will operate properly and perform its intended function. Check for alignment of moving parts, binding of moving parts, breakage of parts, mounting and any other condition that may affect its operation. A part that is damaged should be properly repaired or replaced.
- **LIGHTING** – Only operate Cordless Blower in daylight or good artificial light.
- **DON'T OVERREACH** – Keep proper footing and balance at all times.



### WARNING

Do not use the Cordless Blower with any type of accessory or attachment. Such usage might be hazardous.

- **AVOID DANGEROUS ENVIRONMENTS** – Don't use Cordless Blower in rain, damp or wet locations. Do not operate Cordless Blower in gaseous or explosive atmospheres. Motors in these tools normally spark, and the sparks might ignite fumes.
- **AVOID UNINTENTIONAL STARTING** – Don't carry the Cordless Blower with finger on switch.
- **DO NOT ATTEMPT** to move rocks or sharp materials while operating Blower unit. Do not use the Cordless Blower for any purpose other than that for which it was designed.
- **PROTECT YOUR HEARING** – Wear hearing protection during extended periods of operation. Following this rule will reduce the risk of serious personal injury.
- **DO NOT PUT ANY OBJECT INTO OPENINGS** – Do not use with any opening blocked; keep free of dust, lint, hair, and anything that may reduce air flow.



### WARNING

Use only accessories that are recommended by the manufacturer for your model described in this manual. Accessories that may be suitable for one blower may create a risk of injury when used on another blower. Use only as described in this manual.



### WARNING

Turn off all controls before removing battery.



### WARNING

Use extra care when cleaning on stairs or steps.

**WARNING**

Keep children and small pets a safe distance away while operating the Cordless Blower. Flying debris can cause personal injury.

- **DON'T FORCE CORDLESS BLOWER** – It will do the job better and with less likelihood of a risk of injury at the rate for which it was designed.
- **STAY ALERT** – Watch what you are doing. Use common sense. Do not operate Cordless Blower when you are tired or under the influence of medications, drugs or alcohol.
- **MAINTAIN CORDLESS BLOWER WITH CARE** – Keep blower tube and handles clean for best performance and to reduce the risk of injury. Keep handles dry and free from oil and grease.

**WARNING**

Some dust created by this product contains chemicals that could cause cancer, birth defects or other reproductive harm. Some examples of these chemicals are:

- compounds in fertilizers
- compounds in insecticides, herbicides and pesticides
- arsenic and chromium from chemically treated lumber



To reduce your exposure to these chemicals, wear approved safety equipment such as dust masks that are specially designed to filter out microscopic particles.

**WARNING**

Disconnect battery pack from blower before making any adjustments, changing accessories, or storing the blower. Such preventive safety measures reduce the risk of starting the blower accidentally.

**WARNING**

When battery pack is not in use, keep it away from other metal objects like: paper clips, coins, keys, nails, screws, or other small metal objects that can make a connection from one terminal to another. Shorting the battery terminals together may cause sparks, burns, or a fire.

**WARNING**

Use only the following type and size battery(ies): BAT56V-2AH, BAT56V-4AH

**STORING**

Clean the blower thoroughly before storing. Store the blower in a dry, well-ventilated place that is inaccessible to children. Keep away from corrosive agents such as garden chemicals and de-icing salts.


- Store and charge your batteries in a cool area. Temperatures above or below normal room temperature will shorten battery pack life.
- Never store batteries in a discharged condition. Wait for battery pack to cool and fully charge immediately.
- All batteries gradually lose their charge. The higher the temperature, the quicker they lose their charge. If you store your unit for long periods of time without using it, recharge the batteries every month or two. This practice will prolong battery pack life.
- Recharge batteries every 3 months.


When not in use, your Cordless Blower should be stored indoors in a dry and high or locked-up place, out of reach of children.

## MAINTENANCE

If you drop the blower, carefully inspect it for damage. If the tube is broken, housing cracked, or handles broken or if you see any other condition that may affect the blower's operation, call our customer service help line.

To clean the tool, make sure the battery is detached from the unit, then use only mild soap and a damp cloth. Never let any liquid get inside the tool; never immerse any part of the tool into a liquid.

 **NOTICE**  
To assure product SAFETY and RELIABILITY, repairs, maintenance and adjustment should be performed by an authorized service center or other qualified service organization, always using identical replacement parts.

 **WARNING**  
Do not at any time let brake fluids, gasoline, petroleum based products, penetrating oils, etc., come in contact with plastic parts. They contain chemicals that can damage, weaken or destroy plastic.

Fertilizers and other garden chemicals contain agents which greatly accelerate the corrosion of metals. Do not store the tool on or adjacent to fertilizers or chemicals.








## TROUBLESHOOTING

PROBLEM	POSSIBLE CAUSE	SOLUTION
Unit does not run	- Battery not making contact - Battery not installed properly  - Battery not charged	- Check battery is fully inserted - Check that battery is securely connected to the blower - Check battery charging requirements
Battery will not charge	- Battery not inserted into charger - Charger not plugged in  - Surrounding air temperature too hot or too cold	- Insert battery into charger until LED appears - Plug charger into a working outlet - Check current at receptacle by plugging in a lamp or other appliance - Check to see if receptacle is connected to a light switch which turns power off when you turn out the lights - Move charger and tool to a surrounding air temperature of above 50 degree F (10 degree C) or below 100 degree F ( +37.8 degree C)

In the event of not being able to resolve the problem, please seek technical support assistance.

## WARNING SYMBOLS

The warning icons on labels in this machine and/or in the manual indicate the necessary information for the safe use of the device.

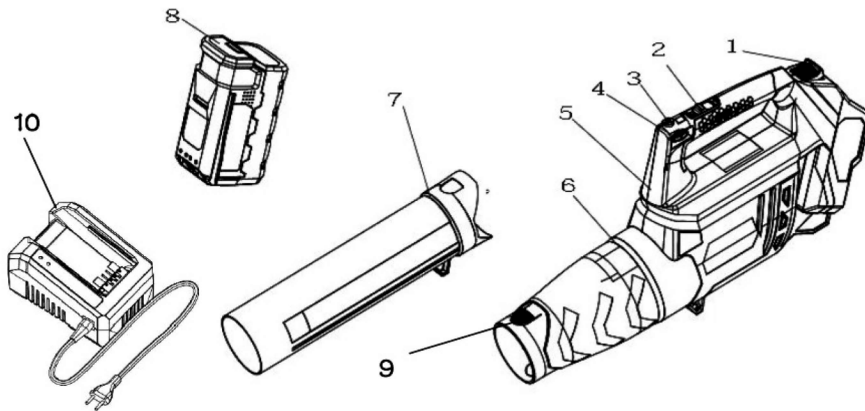
-  Safety alert
-  Please read the instructions carefully before starting the machine.
-  Wear ear and eye protection.
-  Do not expose to rain or damp conditions.
-  Beware of thrown or flying objects. Keep all bystanders at least 15 m away.
-  Rotating Fans. Keep hands and feet out of the openings while the machine is running.
-  Waste electrical products should not be disposed of with household waste. Please recycle where facilities exist. Check with your Local Authority or retailer for recycling advice.

## PRODUCT DESCRIPTION

### DETAILED DESCRIPTION OF THE PRODUCT

#### KNOW YOUR BLOWER

The safe use of this product requires an understanding of the information on the blower and in this operator's manual as well as a knowledge of the project you are attempting. Before use of this product, familiarize yourself with all operating features and safety rules.



1. Battery Release Button
2. Power Trigger
3. Turbo Button
4. Speed Control Wheel
5. Main Housing
6. Rear Tube
7. Front Tube
8. Battery Pack
9. Tube Latch
10. Charger

### TO CHARGE

- Constant Red + Flash Green = Battery is charging
- Constant Red + Constant Green = Battery is fully charged

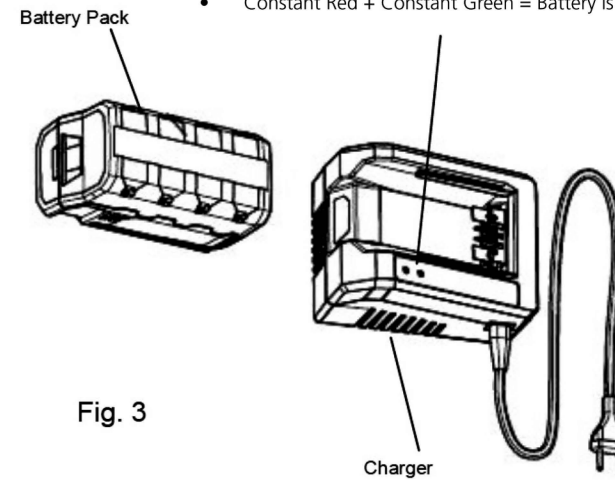


Fig. 3

### INSTALLING AND REMOVING BATTERY PACK FROM THE UNIT

Slide the battery pack in your blower (see Fig. 4). Ensure the battery is securely connected to blower. To remove battery, depress release button and slide battery pack out of tool.

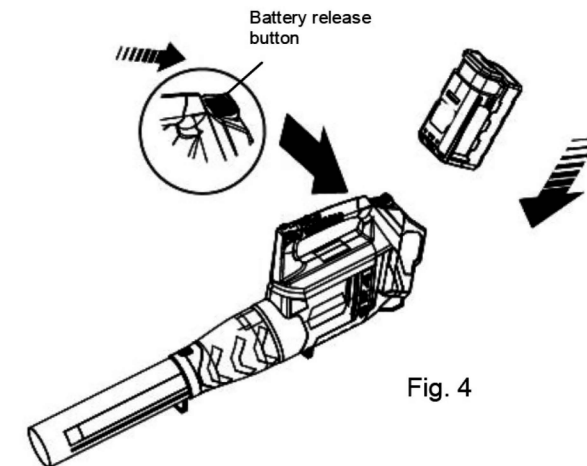


Fig. 4



## CHARGING THE BATTERY PACK

- Charge the battery pack only with the charger provided.
- Allow at least 75 minutes of charge time for 2Ah battery or 120 minutes of charge time for 4Ah battery before initial use of the blower.
- Make sure the power supply is normal household voltage, 120volts, 60Hz, AC only.
- The battery charger should be operated in temperatures between 32 - 100 degrees F
- The battery should be charged in a cool, dry place.
- 2 to 3 initial charging/discharging cycles may be required to achieve maximum run time/capacity.
- DO NOT attempt to open the charger or the battery. There are no customer serviceable parts inside.
- DO NOT incinerate battery packs even if they are severely damaged or completely worn out. They can explode in a fire causing injury.
- DO NOT charge appliance in rain, or in wet locations.
- Use the battery charger indoors only.
- Disconnect charger from the power supply when not in use to prevent damage to the charger during a power surge.
- When fully charged, the battery can be safely stored in temperatures down to - 4 degrees F for a period of up to four weeks, before requiring charging. Fully charge battery pack every 90 days.
- If over a period of time the battery pack quickly runs down after a 75min or 120min full charging period, a replacement battery pack is needed.
- To prevent permanent damage to the battery, never store in a discharged condition.

## WINTER STORAGE

- Fully recharge before storage and then again every 90 days.
- Since the battery will not develop a memory, it does not have to be fully discharged before recharging.
- A small leakage of liquid from the battery cells may occur under extreme usage, charging or temperature conditions. This does not indicate a failure. However, if the outer seal is broken and this leakage gets on your skin.
  - a. Wash quickly with soap and water.
  - b. Neutralize with a mild acid such as lemon juice or vinegar.
  - c. If the battery liquid gets in your eyes, flush them with clean water for a minimum of 10 minutes and seek immediate medical attention.

## TECHNICAL DATA

CORDLESS BLOWER	
Model	LB020001
Battery type	58 V DC Lithium-ion
RPM	15.000 rpm
Air Velocity	169 km/h
Air Volume	9.0 m <sup>3</sup> /minuto
L <sub>PA</sub> (sound pressure)	97 dB(A)
Uncertainty of measurement (K)	3 dB
L <sub>WA</sub> (sound power)	111 dB(A)
Uncertainty of measurement (K)	3 dB
Weight (without battery)	2.7 kg

BATTERY AND CHARGER	
Battery Pack	BAT58V-2AH
Weight	0,98 Kg
Charger	CHAR-50HZ
Weight	0,87Kg
Compatible Battery Pack	BAT58V-2AH, BAT58V-4AH

**NOTE:** LawnMaster reserves the right to modify the specifications of the device without prior notice.

## BOX CONTENTS

### PACKING LIST

- Blower with rear tube assembled.
- Front Blower Tube.
- Battery and Charger.
- Instruction manual.

This product requires some assembly.

- Take the products and accessories out of the box carefully. Please verify that all listed articles in the previous list are present.
- Carefully inspect the product to make sure it has not been damaged or broken while being transported.
- Do not dispose of packaging items until you had the chance to carefully inspect the product and it has been used satisfactorily.



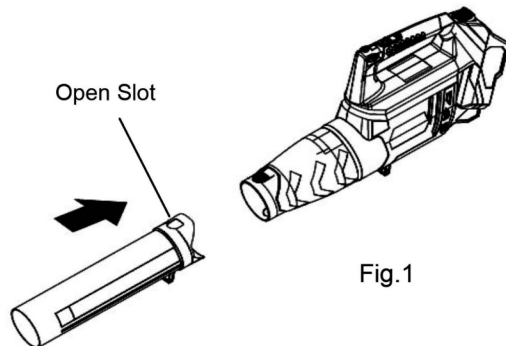
### WARNING

Should there be any damaged or missing parts, please contact LawnMasters technical support. Do not use this product without having replaced the damaged or missing part. Using this product with either damaged or missing parts may cause serious injuries to the operator.

## ASSEMBLY

### TUBE ASSEMBLY

To attach the front tube to the rear blower tube, align tubes so that the open slot in the front tube is in line with the tube latch on the rear tube. Press firmly together until the slot locks in place over the tube latch. Make sure connection is secure. (Fig. 1)



## USING THE PRODUCT

### TO TURN THE TOOL ON

Slide on/off switch forward to "ON" position. To turn the tool OFF, slide backward to "OFF" position.



### WARNING

Do Not use the blower with any type of accessory or attachment. Such usage might be hazardous.

### AIR SPEED CONTROLS

Rotate the speed control wheel to accelerate or decelerate air speed. By pressing turbo button, air speed will immediately accelerate to maximum level. (See Fig. 2)

### BLOWING

Blower can be used to clean corners, fences, walls, wooden areas or beneath cars. Be careful how you point the jet of air as it could move heavy material and cause injury or damage. Turn the switch to on, point the jet of air in front of you and move forward slowly to gather together the leaves or to move the leaves from inaccessible areas.



### WARNING

After battery has been fully depleted, make sure switch is in the "OFF" position.

Avoid collisions with hard objects which could damage your blower.

Keep bystanders and animals at least 15 feet (5 m) away from the working area.

Make sure that the switch is in "OFF" position, the battery pack is disconnected and all the rotating parts are at a standstill before cleaning, carrying out inspections or moving from one place to another. Do not put part of your body such as hands and fingers in the exhaust opening.

Do not switch the machine on in enclosed or poorly ventilated spaces or in the presence of flammable and/or explosive substances such as liquids, gas and powders.

