

40V Lithium Brush Cutter
Instruction Manual

LB4050002S

LawnMaster®

LITHIUM



Important!

It is essential that you read the instructions in this manual before operating this machine.

All notes and images are subject to technical modification.

Distributed by Steelfort Engineering Ltd

READ FIRST BEFORE USE!

LawnMaster Lithium Battery Instructions

1. Battery must be fully charged before initial use.
2. Never let the battery discharge below two bars on the battery indicator light- discharging below two bars may cause damage to the battery.
3. Do not continue use if machine stops - fully recharge battery first if below two bar indicator. If above the two bar minimum assess the tool for potential obstructions.
4. We recommend to fully recharge the battery immediately after every use. Allow the battery to cool for at least 15 minutes before recharging.
5. Do not store for a long period without fully recharging battery.
6. Check battery temperature . If above 38°C let battery rest and cool.

Lithium batteries do not need to be fully discharged before recharging.

General safety warnings

Failure to follow the warnings and instructions may result in electric shock, fire and/or serious injury.

Save all warnings and instructions for future reference.

Trimmer

The product is designed for cutting grass and light weeds only in private garden areas. The product is not intended or recommended for use in public gardens, parks, sports centers or at roadsides, for agricultural or forestry use. The product is not to be used for cutting or chopping hedges, shrubs, bushes, flowers or compost.

IMPORTANT

READ CAREFULLY BEFORE USE

KEEP FOR FUTURE REFERENCE

Safe operating practices

1. Training

- a) Read the instructions carefully. Be familiar with the controls and the correct use of the machine.
- b) Never allow children, persons with reduced physical, sensory or mental capabilities or lack of experience and knowledge or people unfamiliar with these instructions to use the machine, local regulations may restrict the age of the operator.
- c) Keep in mind that the operator or user is responsible for accidents or hazards occurring to other people or their property.

2. Preparation

- a) Before use, always visually inspect the machine for damaged, missing or misplaced guards or shields.
- b) Never operate the machine while people, especially children, or pets are nearby.

3. Operation

Wear eye protection, long trousers and stout shoes at all times while operating the machine.

Avoid using the machine in bad weather conditions especially when there is a risk of lightning.

Use the machine only in daylight or good artificial light.

Never operate the machine with damaged guards or shields or without guards or shields in place.

Switch on the motor only when the hands and feet are away from the cutting means.

Always disconnect the machine from the battery pack

- 1) whenever the machine is left unattended;
- 2) before clearing a blockage;
- 3) before checking, cleaning or working on the machine;
- 4) after striking a foreign object;
- 5) whenever the machine starts vibrating abnormally.

Take care against injury to feet and hands from the cutting means.

Always ensure that the ventilation openings are kept clear of debris.

Never use saw blade.

Always be sure of your footing on slopes.

Walk, never run.

Not overreach and keep the balance at all times.

Not to touch moving hazardous parts before the machine is disconnected from the mains and the moving hazardous parts have come to a complete stop.

4. Maintenance and storage

a) Disconnect the machine from the battery pack before carrying out maintenance or cleaning work.

b) Use only the manufacturer's recommended replacement parts and accessories.

c) Inspect and maintain the machine regularly. Have the machine repaired only by an authorized repairer.

d) When not in use, store the machine out of the reach of children.

ADDITIONAL GENERAL SAFETY WARNINGS

WORK AREA SAFETY

- 1)Keep work area clean and well lit. Cluttered or dark areas invite accidents.
- 2)Do not operate power tools in areas which may ignite the dust or fumes atmospheres, such as in the presence of flammable liquids, gases or dust.
- 3)Power tools create sparks which may ignite the dust or fumes.
- 4)Keep children and bystanders away while operating control. a power tool. Distractions can cause you to lose control.

PERSONAL SAFETY

- 1)Stay alert, watch what you are doing and use common sense when operating a power tool. Do not use a power tool while you are tired or under the influence of drugs, alcohol or medication. A moment. of inattention while operating power tools may result in serious personal injury.
- 2)Use personal protective equipment. Always wear eye protection. Protective equipment such as dust mask, non-skid safety shoes, hard hat, or hearing protection used for appropriate conditions will reduce personal injuries.
- 3)Prevent unintentional starting. Ensure the switch is in the off-position before connecting to power source and/or battery pack, picking up or carrying the tool. Carrying power tools with your finger on the switch or energising power tools that have the switch, on invites accidents.
- 4)Remove any adjusting key or wrench before turning the power tool on. A wrench or a key left attached to a rotating part of the power tool may result in personal injury.
- 5)Do not overreach. Keep proper footing and balance at all times. This enables better control of the power tool in unexpected situations.
- 6)If devices are provided for the connection of dust extraction and collection facilities, ensure these are connected and properly used. Use of dust collection can reduce dust-related hazards.

Safety

- Your Brushcutter is fitted with a harness. Carefully adjust the harness to fit comfortably and help to support the weight of the machine at your right side.
- Identify the Quick Release mechanism and practice using it BEFORE you start using the machine. It's correct use may prevent serious injury in the case of an emergency. Never wear additional clothing over the harness or otherwise restrict access to the quick release mechanism.
- For cutting ease and safety, approach the weeds being cut from the right to the left. In the event an unexpected object or woody stock is encountered, this practice could minimize the blade thrust reaction.
Both hands must be used at all times to control this product.
- You may make adjustments and repairs described here. For other repairs, contact the authorized service agent.
- Before any maintenance or adjustment, disable the machine by removing the power source.
- After extending new cutter line or cleaning, checking the blade, always return the product to its normal operating position before starting.
- After each use, clean the product with a soft dry cloth.
- Check all nuts, bolts and screws at frequent intervals for proper tightness to ensure the product is in safe working condition. Any part that is damaged should be properly repaired or replaced by an authorized service centre.

⚠ WARNING

Some regions have regulations that restrict the use of the product. Check with your local authority for advice.

TRANSPORTATION AND STORAGE

- Stop the machine and allow it to cool before storing or transporting. Do not store or transport the machine with batteries fitted, remove and secure separately
- Clean all foreign material from the product. Store it in a cool dry and well-ventilated place that is inaccessible to children. Keep away from corrosive agents such as garden chemicals and de-icing salts. Do not store outdoors.
- For transportation, secure the machine against movement or falling to prevent injury to persons or damage to the machine.

MAINTENANCE

⚠ WARNING

Use only original manufacturer's replacement parts, accessories and attachments. Failure to do so can cause possible injury, poor performance and may void your warranty.

⚠ WARNING

Servicing requires extreme care and knowledge and should be performed only by a qualified service technician. For service we suggest you return the product to your nearest authorized service center for repair. When servicing, use only identical replacement parts.

INTENDED USE

The product is only intended for use outdoors. For safety reasons the product must be adequately controlled by using two handed operation.

The product is intended for cutting long grass, pulpy weed, or brush and similar vegetation at or about ground level. The cutting plane should be approximately parallel to the ground surface. The product should not be used to trim hedges, bushes or other vegetation where the cutting plane is not parallel to the ground surface.

RESIDUAL RISK

Even when the product is used as prescribed, it is still impossible to completely eliminate certain residual risk factors. The following hazards may arise in use and the operator should pay special attention to avoid the following:

- Injury caused by vibration. Always use the right tool for the job, use designated handles and restrict working time and exposure.
- Exposure to noise can cause hearing injury. Wear ear protection and limit exposure
- Kickback can occur when using the brushcutter. Ensure proper control by using both hands on the designated handles. Read and follow the directions elsewhere in this manual to help reduce the risk of kickback.

Safety

RISK REDUCTION

It has been reported that vibrations from hand-held tools may contribute to a condition called Raynaud's Syndrome in certain individuals. Symptoms may include tingling, numbness and blanching of the fingers, usually apparent upon exposure to cold. Hereditary factors, exposure to cold and dampness, diet, smoking and work practices are all thought to contribute to the development of these symptoms. There are measures that can be taken by the operator to possibly reduce the effects of vibration:

- Keep your body warm in cold weather. When operating the unit wear gloves to keep the hands and wrists warm. It is reported that cold weather is a major factor contributing to Raynaud's Syndrome.
- After each period of operation, exercise to increase blood circulation.
- Take frequent work breaks. Limit the amount of exposure per day.

If you experience any of the symptoms of this condition, immediately discontinue use and see your doctor about these symptoms.

WARNING

Injuries may be caused, or aggravated, by prolonged use of a tool. When using any tool for prolonged periods, ensure you take regular breaks.

READ FIRST BEFORE USE!

LawnMaster Lithium Battery Instructions

1. Battery must be fully charged before initial use.
2. Never let the battery discharge below two bars on the battery indicator light- discharging below two bars may cause damage to the battery.
3. Do not continue use if machine stops - fully recharge battery first if below two bar indicator. If above the two bar minimum assess the tool for potential obstructions.
4. We recommend to fully recharge the battery immediately after every use. Allow the battery to cool for at least 15 minutes before recharging.
5. Do not store for a long period without fully recharging battery.
6. Check battery temperature. If above 38°C let battery rest and cool.

Lithium batteries do not need to be fully discharged before recharging.

SYMBOLS ON THE PRODUCT



Safety alert



Read and understand all instructions before operating the product, follow all warnings and safety instructions.



Wear eye, ear and head protection.



Wear non-slip safety footwear when using the product.



Wear non-slip, heavy duty gloves.



Do not expose to rain or damp condition.



This unit is not intended for use with a toothed saw type blade.



Rotational direction and maximum speed of the shaft for the cutting attachment.



Beware of thrown or flying objects. Keep all bystanders a safe distance away from the product.



Beware of thrown or flying objects. Keep all bystanders, especially children and pets, at least 15m away from the operating area



Keep hands away from blades



Beware of blade thrust



Keep all bystanders, especially children and pets, at least 15m from the operating area.

Safety



Pull: Quick release tab



Waste electrical products should not be disposed of with household waste. Please recycle where facilities exist. Check with your local authority or retailer for recycling advice.



Conforms to all regulatory standards in the country in the EU where the product is purchased.



The guaranteed sound power level is shown on this label by 95 dB for Lawn Trimmer.

The following signal words and meanings are intended to explain the levels of risk associated with this product:



Indicates an imminently hazardous situation, which, if not avoided, will result in death or serious injury.



Indicates a potentially hazardous situation, which, if not avoided, could result in death or serious injury.



Indicates a potentially hazardous situation, which, if not avoided, may result in minor or moderate injury.

CAUTION

(Without Safety Alert Symbol)
Indicates a situation that may result in property damage.

SYMBOLS IN THIS MANUAL



Parts or accessories sold separately



Waste electrical products should not be disposed of with household waste. Please recycle where facilities exist.

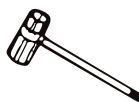
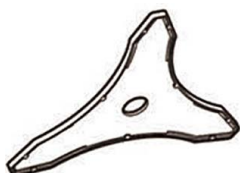
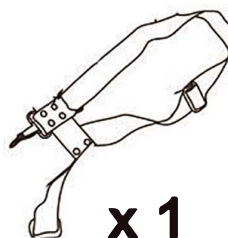
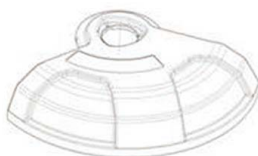
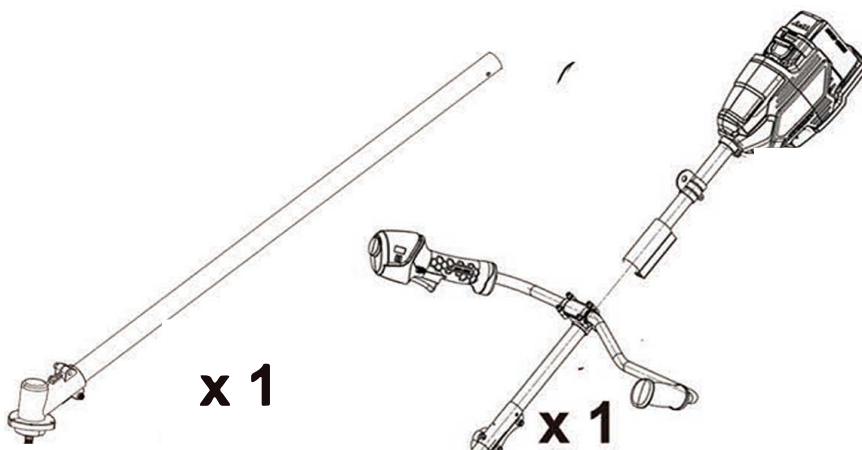


Note



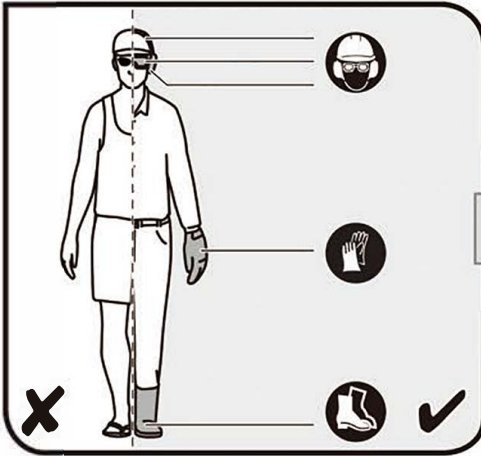
Warning

Unpacking

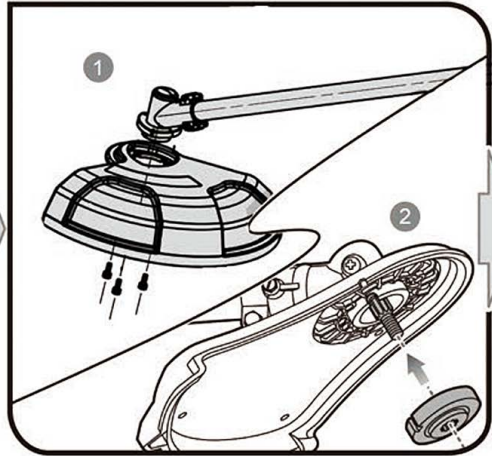


Getting Started

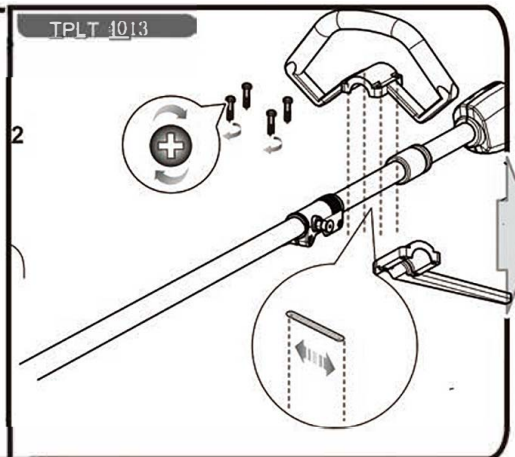
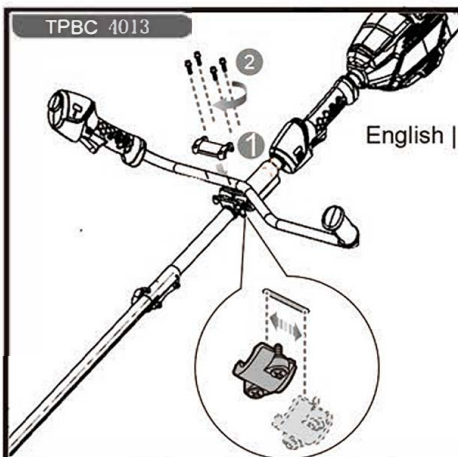
1



2

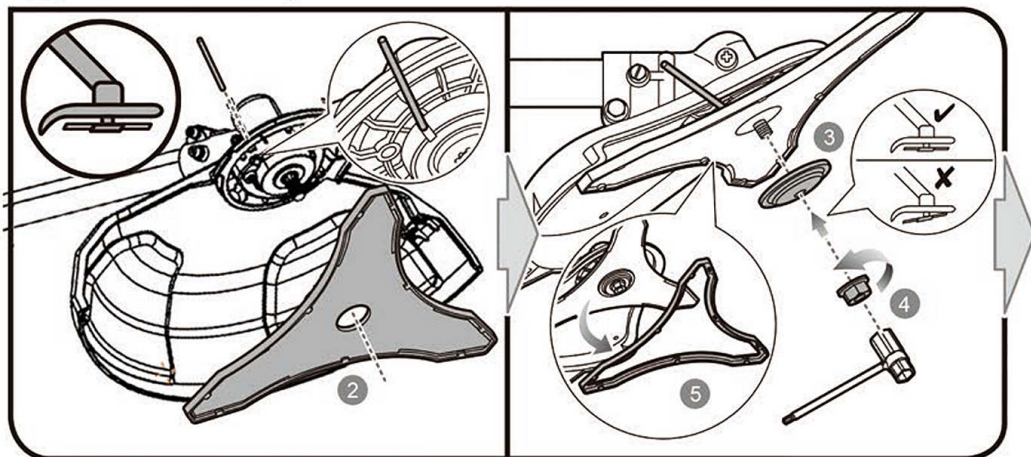


4

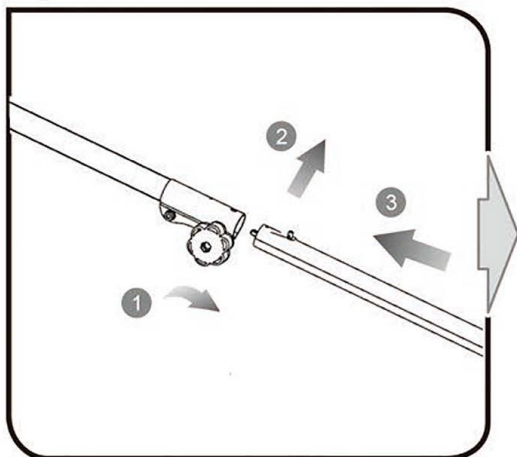


Getting Started

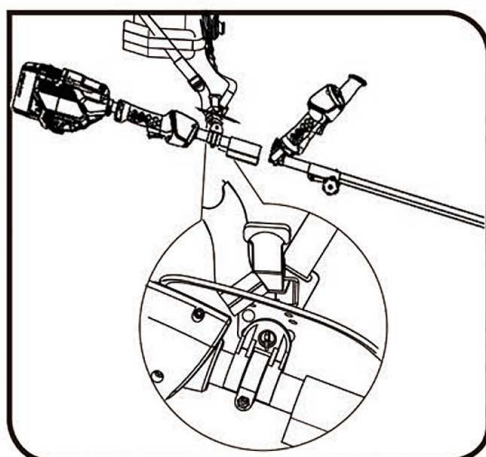
3a



5

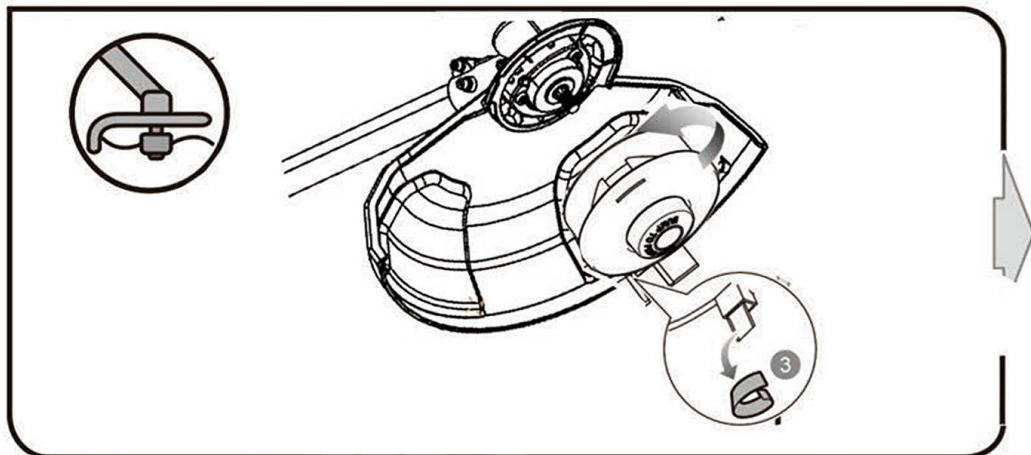


6

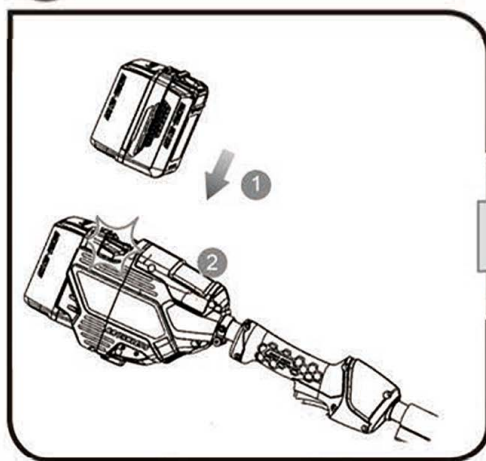


Getting Started

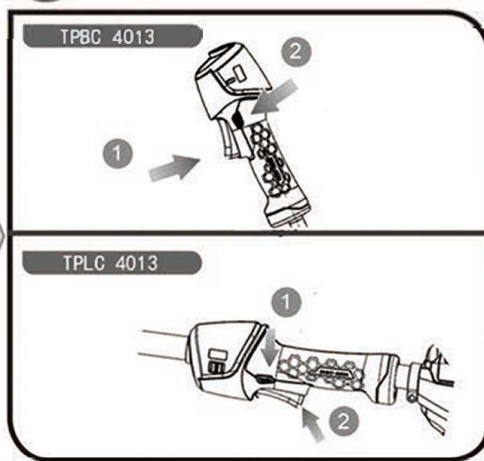
3b



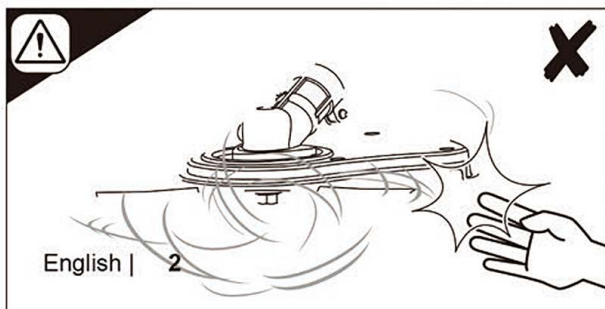
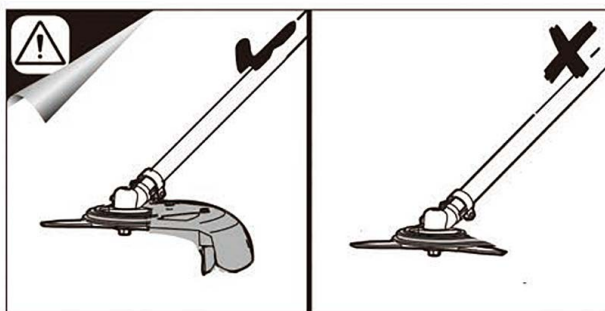
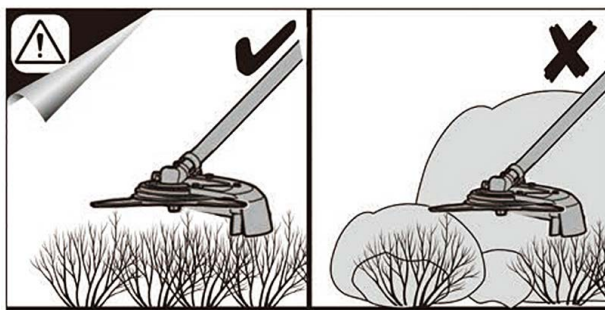
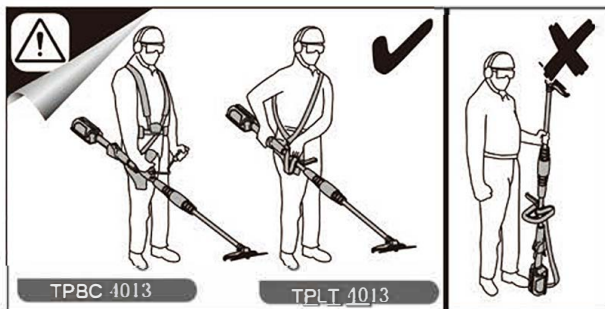
7



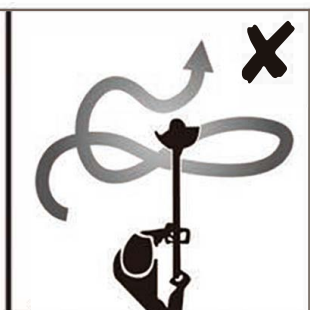
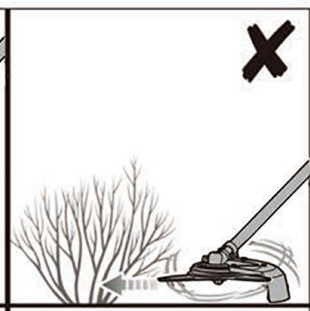
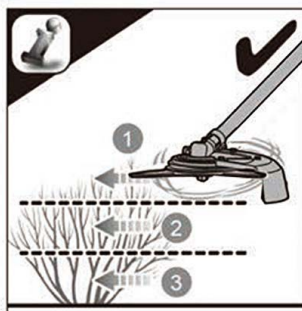
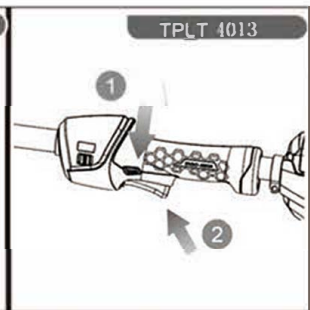
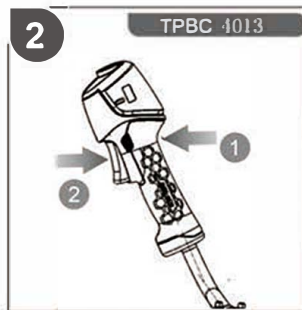
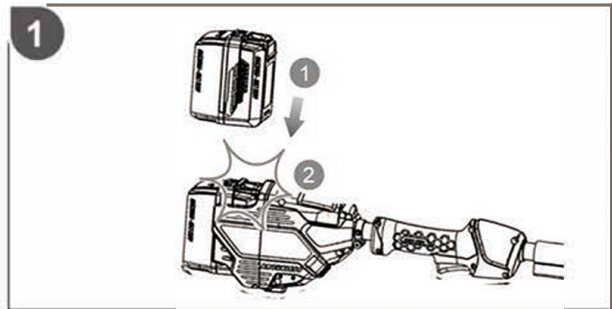
8



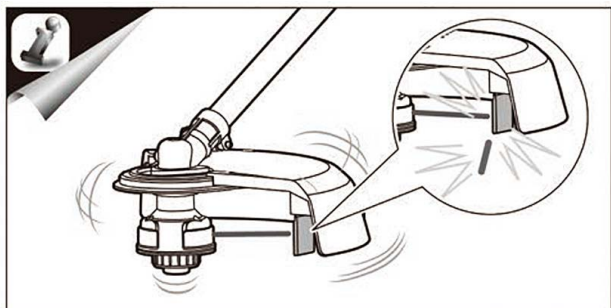
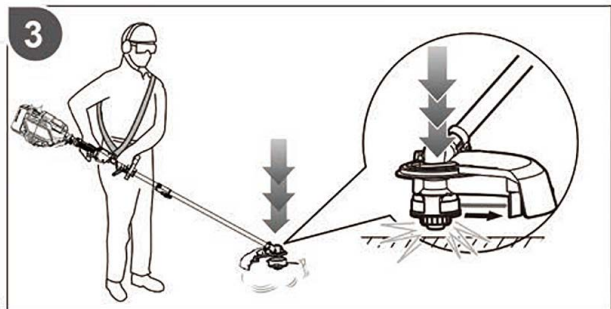
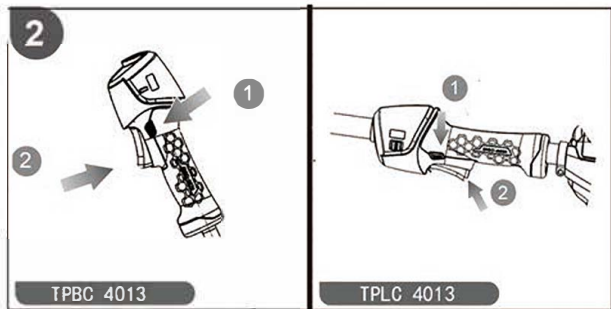
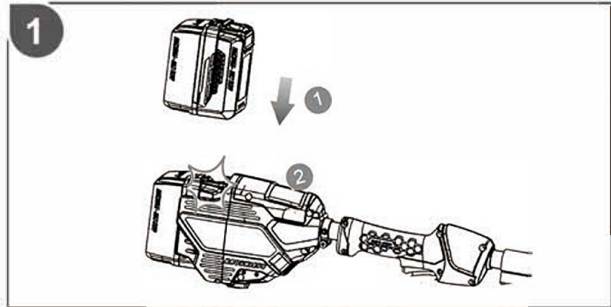
Operation



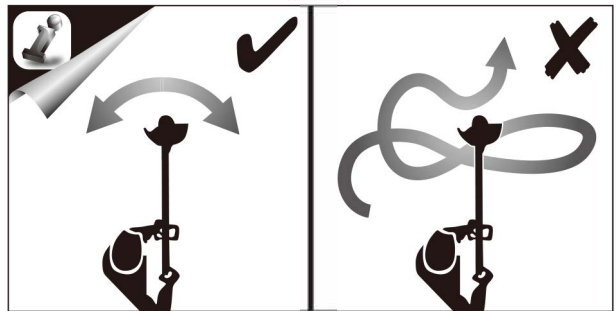
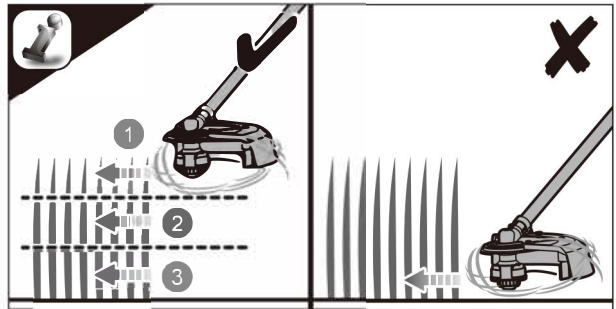
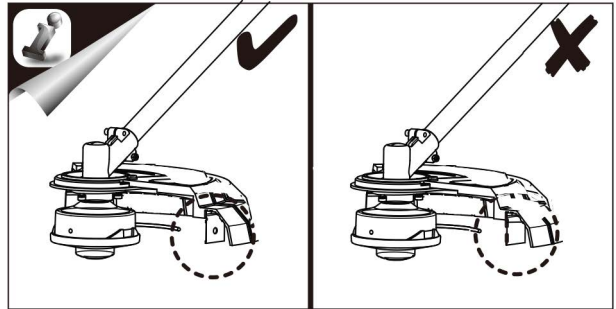
Operation



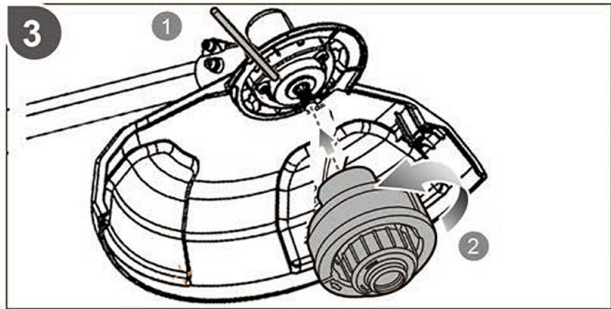
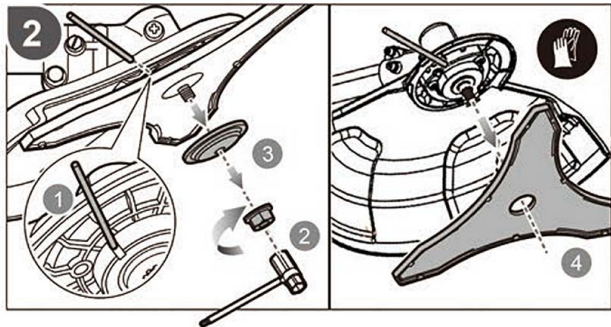
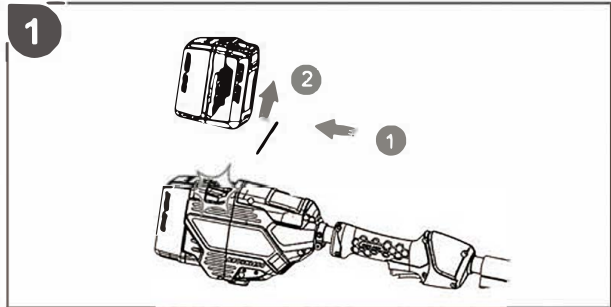
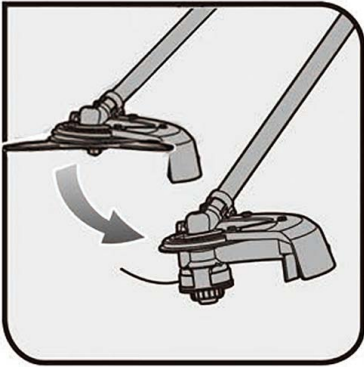
Operation



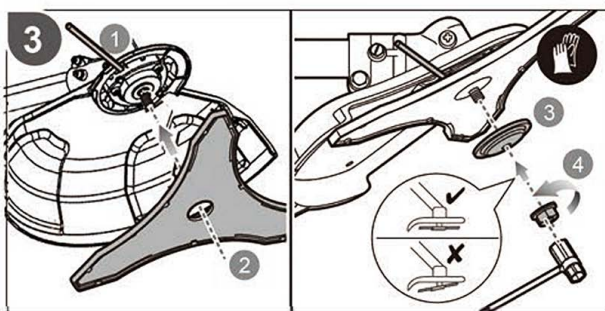
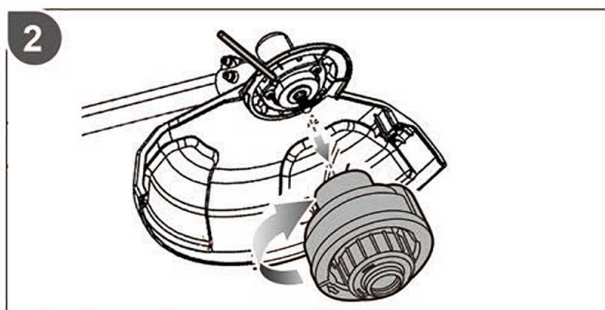
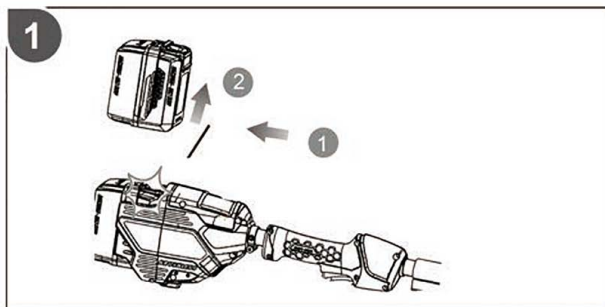
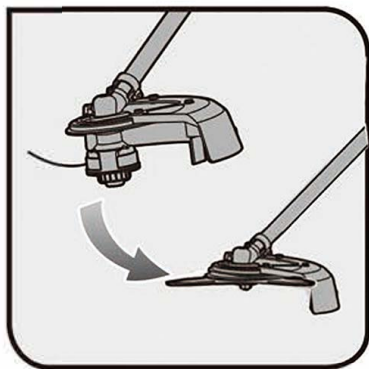
Operation



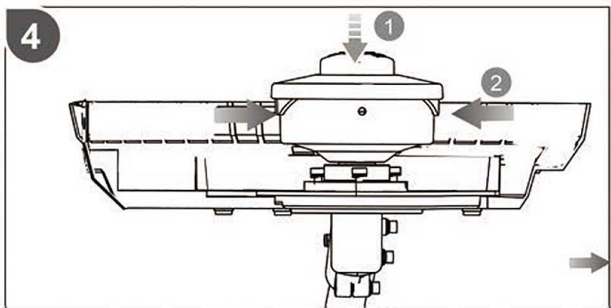
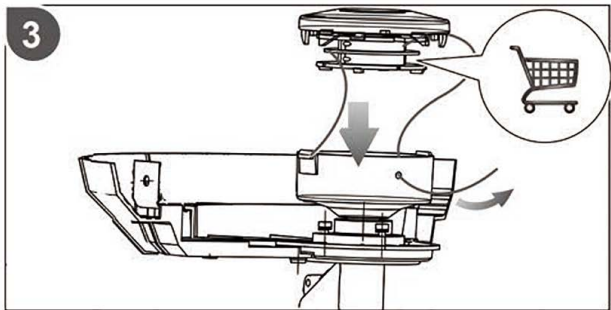
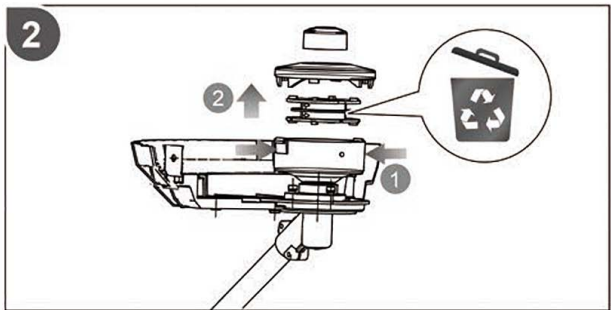
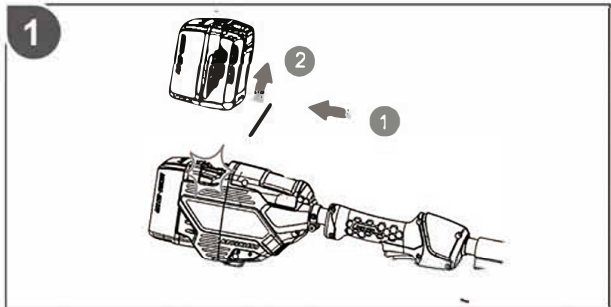
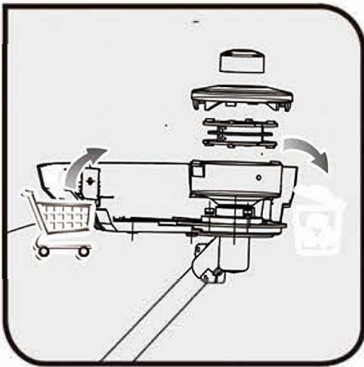
Operation



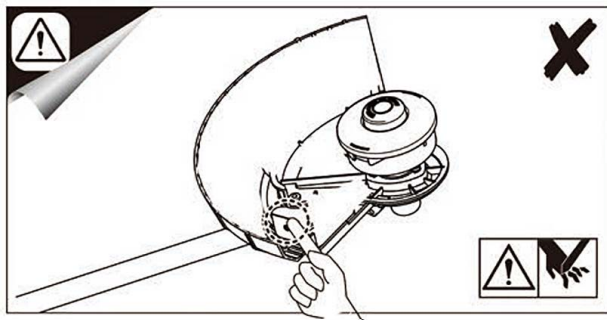
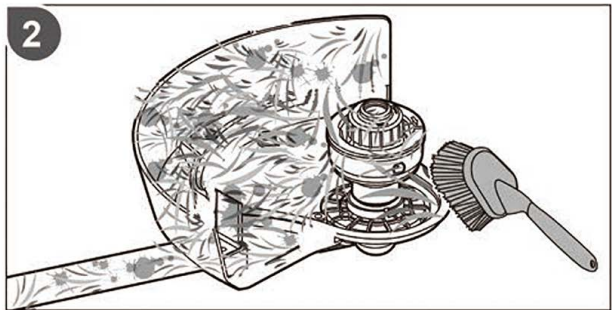
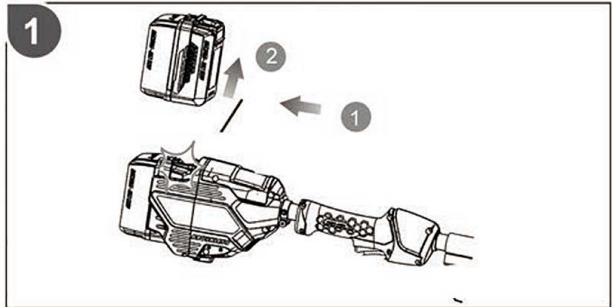
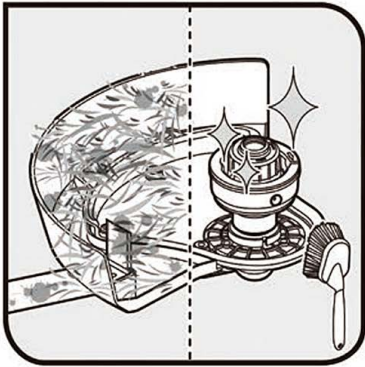
Operation



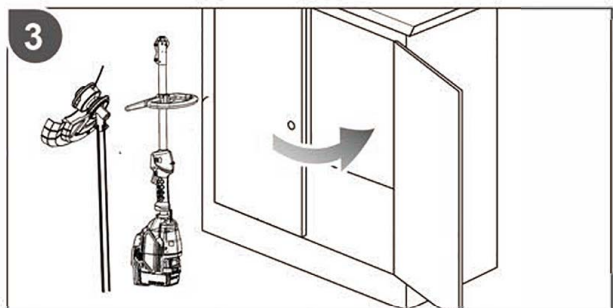
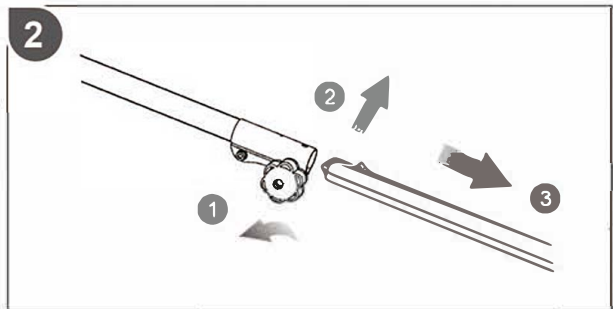
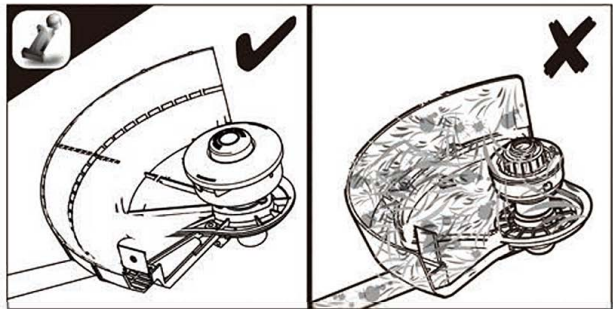
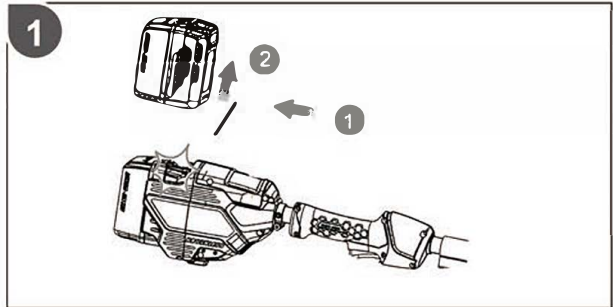
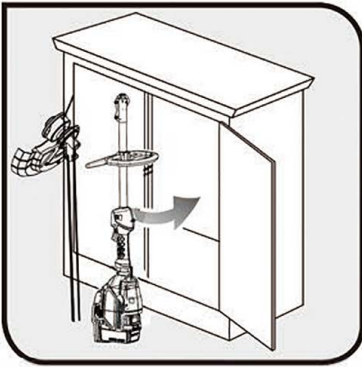
Maintenance



Maintenance



Maintenance



PRODUCT SPECIFICATIONS

Model	LB4050002S
Voltage	40V
Cutting line diameter	2.0 mm
Cutting capacity brushcutter	260 mm
Cutting capacity line trimmer	330 mm
A-weighted sound pressure level	82dB(A)
A-weighted sound power level	96dB(A)
Recommended torque for blade retention	> 11 N.m
Recommended torque for string head retention	> 6 N.m

BATTERY AND CHARGER (NOT INCLUDED)

Model	LB400002S
Compatible battery packs	LB40B
Compatible charger	LB40BCKT

REPLACEMENT PART

2.0 mm spool

VIBRATION LEVEL

WARNING

The declared vibration value has been measured with a standard test method and may be used to compare one tool with another.

The declared vibration value may be used in a preliminary assessment of exposure.

The vibration emission during actual use of power tool can differ from the declared total value depending on the ways in which the tool is used.

Identify safety measures to protect yourself based on an estimation of exposure in the actual conditions of use, taking account of all parts of the operating cycle such as the times when the tool is switched off and when it is running idle in addition to the trigger time.